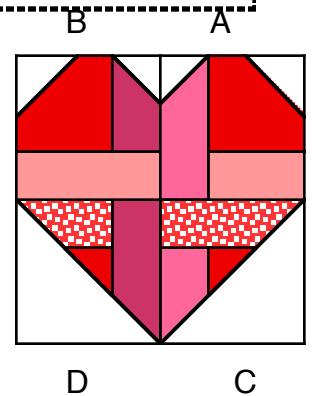
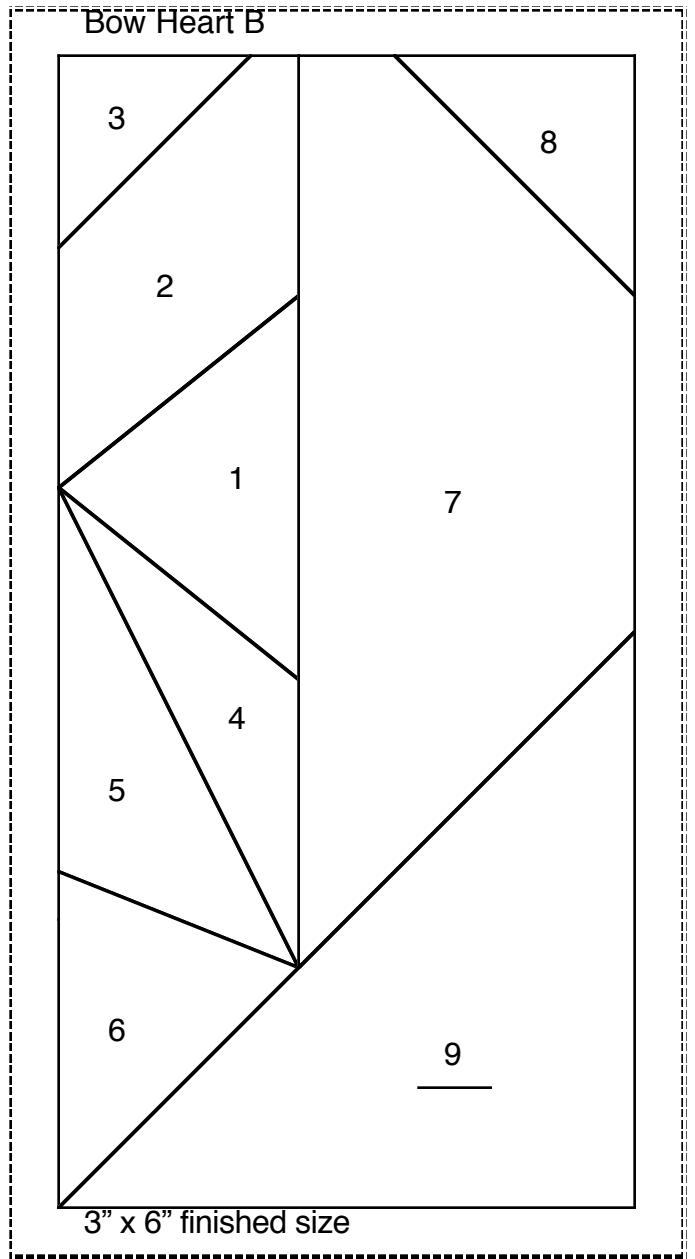
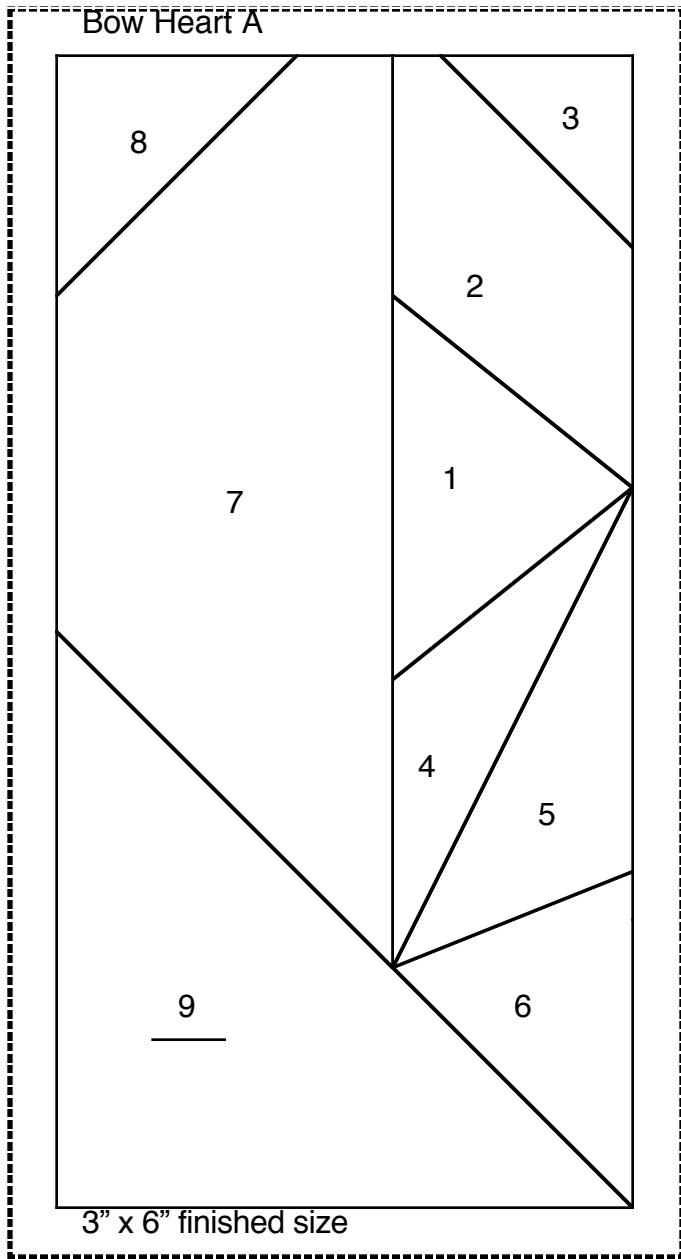
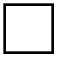




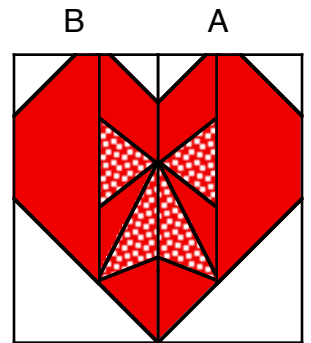
Fabric	No to Cut	Size to Cut	Location
	1 2	4 1/2" x 4 1/2" [1] 2 3/4" x 2 3/4" [1]	4C, 4D 4A, 4B, 5A, 5B
	2 1	2 3/4" x 2 3/4" 2 1/2" x 2 1/2" [1]	1A, 1B 1C, 1D
	2	1 3/4" x 3 3/4"	2B, 3D
	2	1 3/4" x 3 3/4"	2A, 3B
	2	1 3/4" x 3 3/4"	3C, 2D
	2	1 3/4" x 3 3/4"	3A, 2C



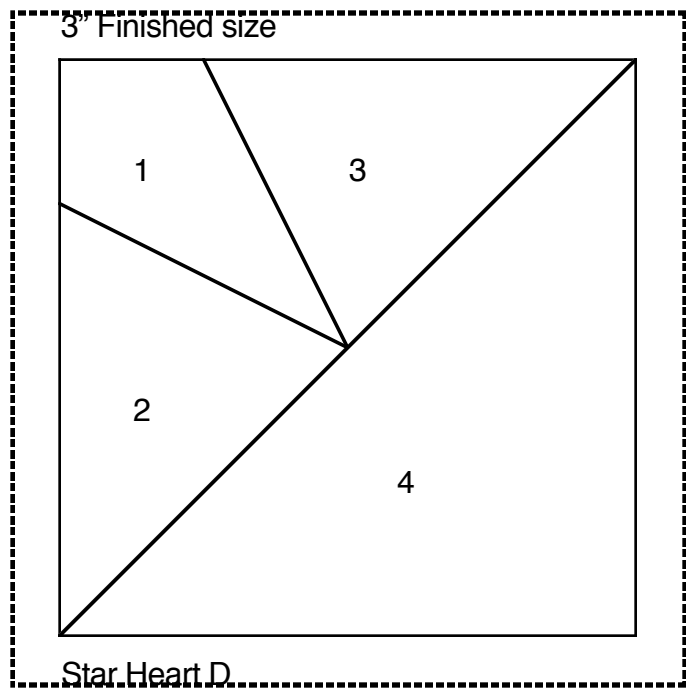
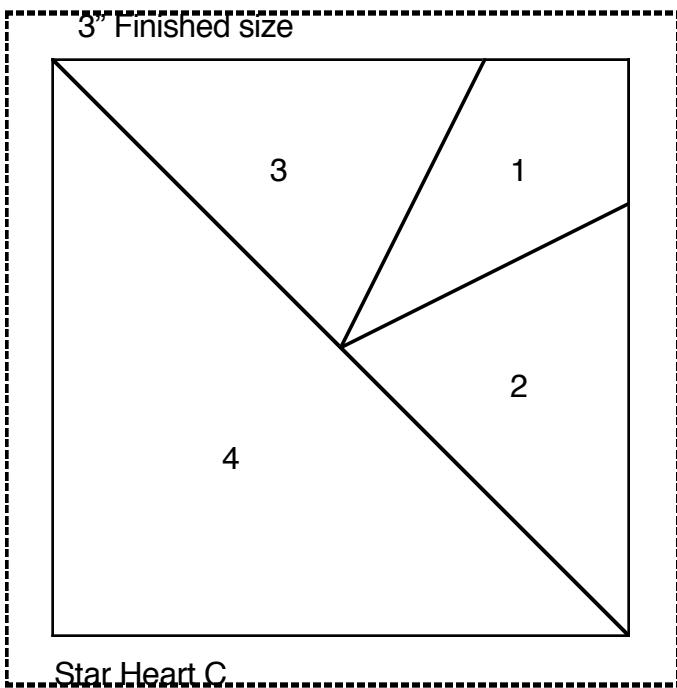
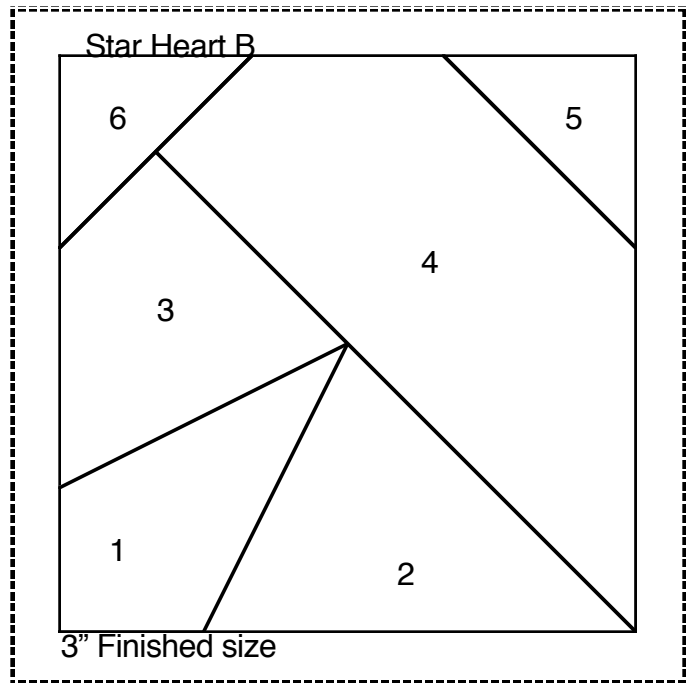
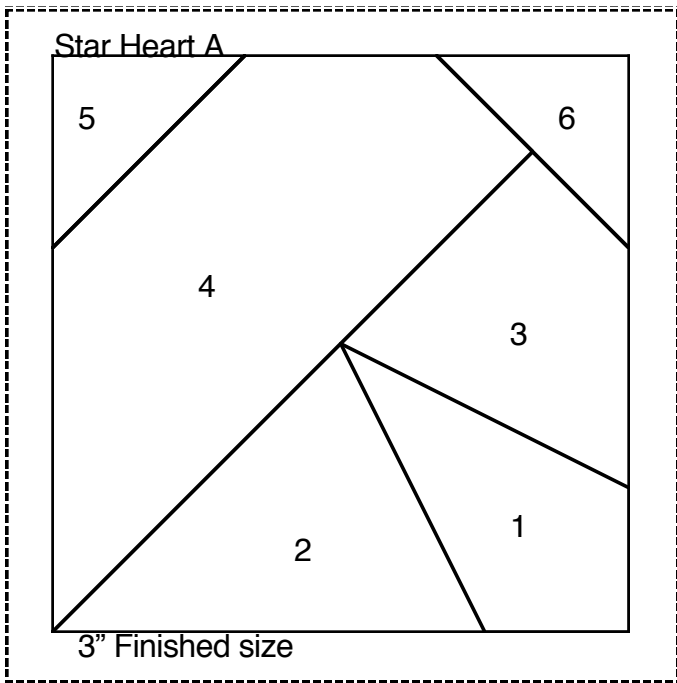
Woven Heart






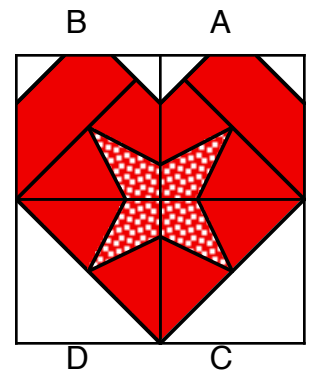
Fabric	No. to Cut	Size to Cut	Location
	1 2	4 1/2" x 4 1/2" [1] 2 3/4" x 2 3/4" [1]	9A, 9B 3A, 3B, 8A, 8B
	2 2	2" x 2 3/4" 1 1/2" x 3 3/4"	1A, 1B 5A, 5B
	2 2 4	2 1/2" x 5 1/2" 2 1/2" x 2 1/2" 2" x 3 1/2"	7A, 7B 6A, 6B 2A, 2B, 4A, 4B



Bow Heart



Fabric	No. to Cut	Size to Cut	Location
	1 2	4 1/2" x 4 1/2" [1] 2 1/2" x 2 1/2" [1]	4C, 4D 5A, 5B, 6A, 6B
	4	1 3/4" x 3"	1A, 1B, 1C, 1D
	8 2	3" x 3" 2" x 4 1/2"	2A, 2B, 2C, 2D, 3A, 3B, 3C, 3D 4A, 4B



Star Heart